

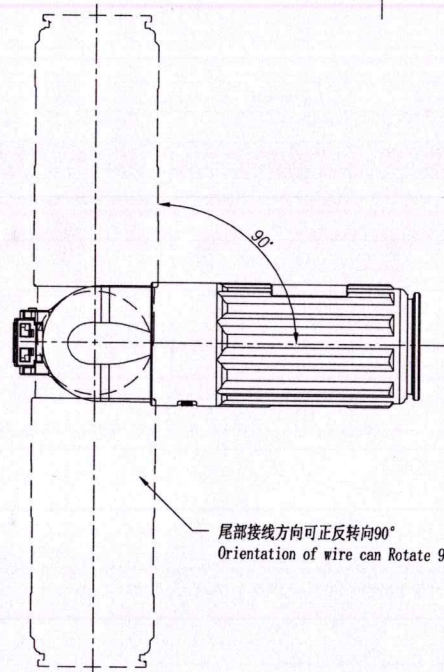
THIS DRAWING IS SUPPLIED FOR INFORMATION ONLY. DESIGN FEATURES, SPECIFICATIONS AND PERFORMANCE DATA SHOWN HEREON ARE THE PROPERTY OF THE AMPHENOL CORPORATION. NO RIGHTS OF REPRODUCTION ARE IMPLIED. ALL DIMENSIONS ARE SUBJECT TO NORMAL MANUFACTURING VARIATIONS.

**Customer Drawing**

REVISIONS					
REV	ZONE	ECO	DESCRIPTION	DATE	BY APPR
A	---	---	Add P/N List	06/20/14	RW EC
F	---	---	The Locking Screw Change from M2.5 to M2.0	03/25/16	RW GX
G	---	---	Change back shell	09/29/16	RW TS
H	---	---	Add Locking Screw Assembly Torque	10/28/16	SW RW
I	---	---	Add rotting current	08/21/18	Fred JL
J	---	---	Updated Spec.	12/02/19	Steven JL

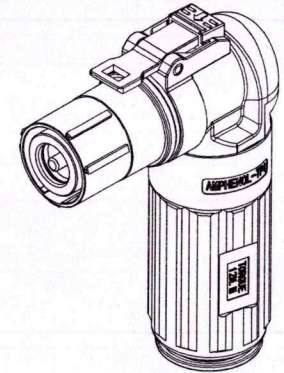
**订购信息 Ordering Information**

PL28 X - 30 1 - 70		
<b>键位及颜色 Key &amp; Color</b>	<b>高压互锁 HVIL</b>	<b>线缆大小 Cable Size</b>
"X", 橙色 Orange	0, 不带互锁 No HVIL	"70"=70mm <sup>2</sup>
"Y", 黑色 Black	1, 带互锁 With HVIL	"50"=50mm <sup>2</sup>
"U", 黄色 Yellow		"35"=35mm <sup>2</sup>
"V", 绿色 Green		
"W", 红色 Red		
"T", 蓝色 Blue		

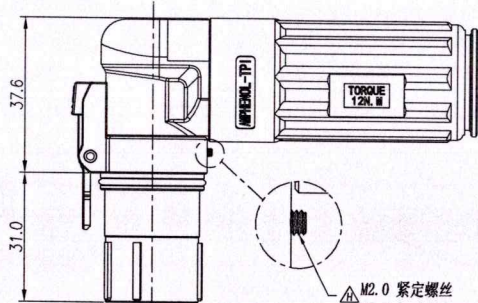
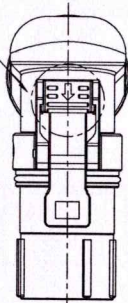


尾部接线方向可正反转向90°  
Orientation of wire can Rotate 90 Degrees

Amphenol TPI  
2019-12-09  
REGISTERED COPY



按键颜色见“订购信息”  
The color of press key see "Ordering Information"



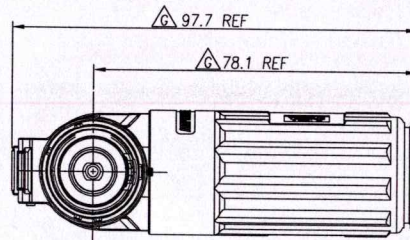
M2.0 紧固螺丝  
M2.0 locking screw  
组装线束时需涂螺纹胶后锁紧，标准件出货不涂螺纹胶  
Add thread glue here and tighten the nut. When it is used in cable assembly Do not add glue when it is used in standard part

P/N	Model NO.	Accepted Wire OD
AC-HA000845	PL28X-301-35	14.5±0.5
AC-HA000846	PL28Y-301-35	
AC-HA000847	PL28U-301-35	
AC-HA000848	PL28V-301-35	
AC-HA000849	PL28W-301-35	
AC-HA001289	PL28T-301-35	
AC-HA000850	PL28X-301-50	17.0±0.5
AC-HA000851	PL28Y-301-50	
AC-HA000852	PL28U-301-50	
AC-HA000853	PL28V-301-50	
AC-HA000854	PL28W-301-50	
AC-HA001290	PL28T-301-50	
AC-HA000855	PL28X-301-70	19.5±0.5
AC-HA000856	PL28Y-301-70	
AC-HA000857	PL28U-301-70	
AC-HA000858	PL28V-301-70	
AC-HA000859	PL28W-301-70	
AC-HA001291	PL28T-301-70	

P/N	Model NO.	Accepted Wire OD
AC-HA000860	PL28X-300-35	14.5±0.5
AC-HA000861	PL28Y-300-35	
AC-HA000862	PL28U-300-35	
AC-HA000863	PL28V-300-35	
AC-HA000864	PL28W-300-35	
AC-HA001292	PL28T-300-35	
AC-HA000865	PL28X-300-50	17.0±0.5
AC-HA000866	PL28Y-300-50	
AC-HA000867	PL28U-300-50	
AC-HA000868	PL28V-300-50	
AC-HA000869	PL28W-300-50	
AC-HA003528	PL28T-300-50	
AC-HA000870	PL28X-300-70	19.5±0.5
AC-HA000871	PL28Y-300-70	
AC-HA000872	PL28U-300-70	
AC-HA000873	PL28V-300-70	
AC-HA000874	PL28W-300-70	
AC-HA003529	PL28T-300-70	

**规格参数 (Spec.):**

- 工作温度 Operating temperature: -40° C~+125° C.
- 额定电流 Current rating (Connector Only):  
35mm<sup>2</sup>:150A; 50mm<sup>2</sup>:200A; 70mm<sup>2</sup>:250A .
- 额定电压 Operating voltage:1000 VDC.
- 耐电压 Dielectric withstanding voltage: 5000 VDC.
- 防护等级 Protection class:IP67 & IP2X.
- 电磁屏蔽 Shielding.
- 机械寿命 Mating cycle:100 Min.
- 带自动二次锁扣 Automatic secondary lock.
- 尾部接线方向可正反转向90° Rotate function of wire.
- 带高压互锁 Electrical interlock (HVIL).
- 配对插座 Mating receptacle : See drawing "PL00-300"
- 紧固螺丝锁紧扭矩 Tightening Torque of Locking Screw: 0.17 Nm



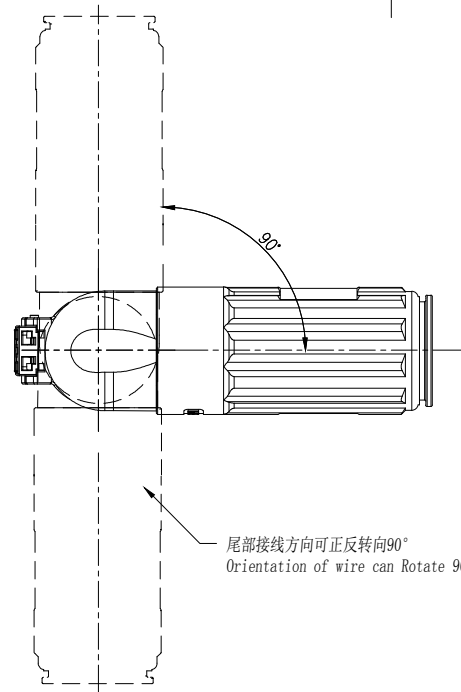
		Amphenol Technical Products International GZ				
		第三角投影 THIRD ANGLE PROJECTION	页码 SHEET 1 of 1	幅面 SIZE A3	版次 REV. J	比例 SCALE 
签名 SIGNATURE Steven		日期 DATE 12/02/19		UNLESS OTHERWISE SPECIFIED 1) All dimensions are in metric(mm). 2) Tolerances are as follows: 0 PL DEC ±1.00 1 PL DEC ±0.50 2 PL DEC ±0.20		DWG NO: PL28-300
制图 DRAWN Steven		审核 CHECKED Steven		批准 APPROVAL Steven		CUST PART #: N/A

THIS DRAWING IS SUPPLIED FOR INFORMATION ONLY. DESIGN FEATURES, SPECIFICATIONS AND PERFORMANCE DATA SHOWN HEREON ARE THE PROPERTY OF THE AMPHENOL CORPORATION. NO RIGHTS OF REPRODUCTION ARE IMPLIED. ALL DIMENSIONS ARE SUBJECT TO NORMAL MANUFACTURING VARIATIONS.

Customer Drawing

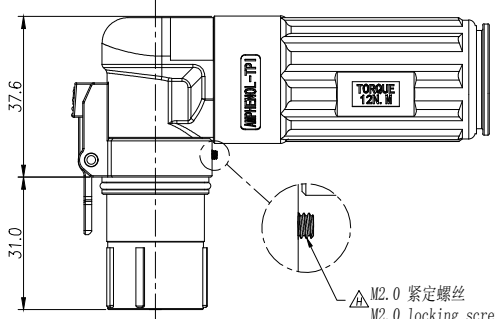
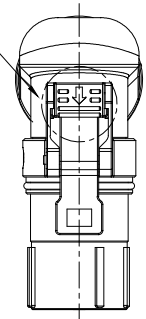
订购信息 Ordering Information

<b>PL28 X - 30 1 - 70</b>	<b>高压互锁 HVIL</b>	<b>线缆大小 Cable Size</b>
<b>键位及颜色 Key &amp; Color</b> "X", 橙色 Orange "Y", 黑色 Black "U", 黄色 Yellow "V", 绿色 Green "W", 红色 Red "T", 蓝色 Blue	0, 不带互锁 No HVIL 1, 带互锁 With HVIL	"70"=70mm <sup>2</sup> "50"=50mm <sup>2</sup> "35"=35mm <sup>2</sup>



尾部接线方向可正反转90°  
Orientation of wire can Rotate 90 Degrees

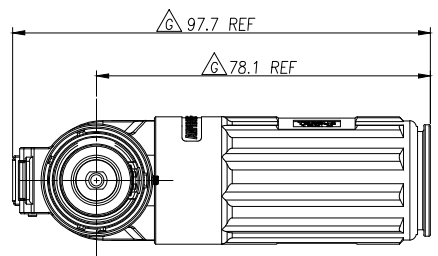
按键颜色见“订购信息”  
The color of press key see “Ordering Information”



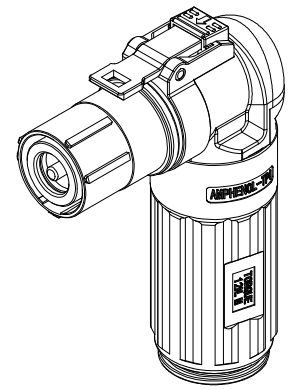
M2.0 锁定螺丝  
M2.0 locking screw  
组装线束时需涂螺纹胶后锁紧，标准件出货不涂螺纹胶  
Add thread glue here and tighten the nut When it is used in cable assembly Do not add glue when it is used in standard part

规格参数 (Spec.):

1. 工作温度 Operating temperature: -40° C~+125° C.
2. 额定电流 Current rating (Connector Only):  
35mm<sup>2</sup>:150A; 50mm<sup>2</sup>:200A; 70mm<sup>2</sup>:250A .
3. 额定电压 Operating voltage:1000 VDC.
4. 耐电压 Dielectric withstanding voltage: 5000 VDC.
5. 防护等级 Protection class:IP67 & IP2X.
6. 电磁屏蔽 Shielding.
7. 机械寿命 Mating cycle:100 Min.
8. 带自动二次锁扣 Automatic secondary lock.
9. 尾部接线方向可正反转90° Rotate function of wire.
10. 带高压互锁 Electrical interlock (HVIL).
11. 配对插座 Mating receptacle : See drawing “PL00-300”
12. 锁定螺丝锁紧扭矩 Tightening Torque of Locking Screw: 0.17 Nm



REVISIONS						
REV	ZONE	ECO	DESCRIPTION	DATE	BY	APPR
A	--	--	Add P/N List	06/20/14	RW	EC
F	--	--	The Locking Screw Change from M2.5 to M2.0	03/25/16	RW	GX
G	--	--	Change back shell	09/29/16	RW	TS
H	--	--	Add Locking Screw Assembly Torque	10/28/16	SW	RW
I	--	--	Add rotog current	08/21/18	Fred	JL
J	--	--	Updated Spec.	12/02/19	Steven	JL



P/N	Model NO.	Accepted Wire OD
AC-HA000845	PL28X-301-35	14.5±0.5
AC-HA000846	PL28Y-301-35	
AC-HA000847	PL28U-301-35	
AC-HA000848	PL28V-301-35	
AC-HA000849	PL28W-301-35	
AC-HA001289	PL28T-301-35	17.0±0.5
AC-HA000850	PL28X-301-50	
AC-HA000851	PL28Y-301-50	
AC-HA000852	PL28U-301-50	
AC-HA000853	PL28V-301-50	
AC-HA000854	PL28W-301-50	19.5±0.5
AC-HA001290	PL28T-301-50	
AC-HA000855	PL28X-301-70	
AC-HA000856	PL28Y-301-70	
AC-HA000857	PL28U-301-70	
AC-HA000858	PL28V-301-70	19.5±0.5
AC-HA000859	PL28W-301-70	
AC-HA001291	PL28T-301-70	

P/N	Model NO.	Accepted Wire OD
AC-HA000860	PL28X-300-35	14.5±0.5
AC-HA000861	PL28Y-300-35	
AC-HA000862	PL28U-300-35	
AC-HA000863	PL28V-300-35	
AC-HA000864	PL28W-300-35	
AC-HA001292	PL28T-300-35	17.0±0.5
AC-HA000865	PL28X-300-50	
AC-HA000866	PL28Y-300-50	
AC-HA000867	PL28U-300-50	
AC-HA000868	PL28V-300-50	
AC-HA000869	PL28W-300-50	19.5±0.5
AC-HA003528	PL28T-300-50	
AC-HA000870	PL28X-300-70	
AC-HA000871	PL28Y-300-70	
AC-HA000872	PL28U-300-70	
AC-HA000873	PL28V-300-70	19.5±0.5
AC-HA000874	PL28W-300-70	
AC-HA003529	PL28T-300-70	

	Amphenol Technical Products International GZ				
	第三角投影 THIRD ANGLE PROJECTION	页面 SHEET	幅面 SIZE	版次 REV.	比例 SCALE
1 OF 1	A3	J			
DWG NO: PL28-300	UNLESS OTHERWISE SPECIFIED 1) All dimensions are in metric(mm). 2) Tolerances are as follows: 0 PL DEC ±1.00 1 PL DEC ±0.50 2 PL DEC ±0.20				CUST PART #: N/A
CUST REV. -	Angles ±1°				

签名 SIGNATURE	日期 DATE
制图 DRAWN Steven	12/02/19
审核 CHECKED	
批准 APPROVAL	