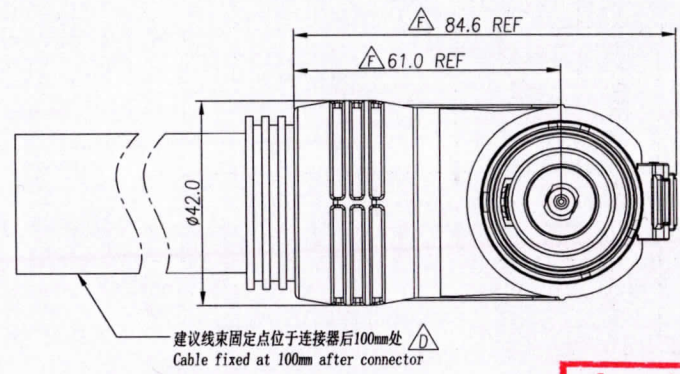
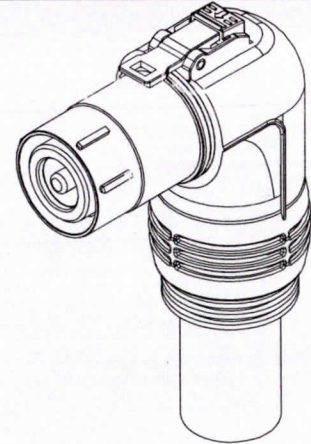
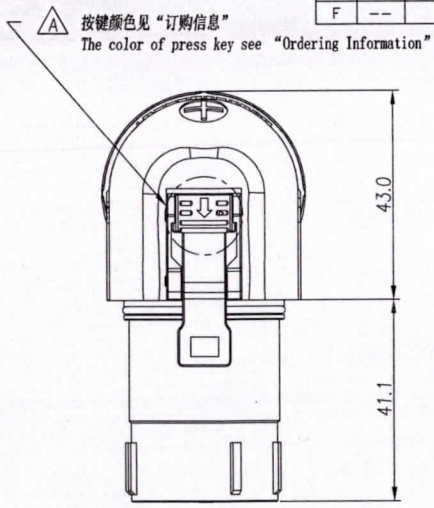
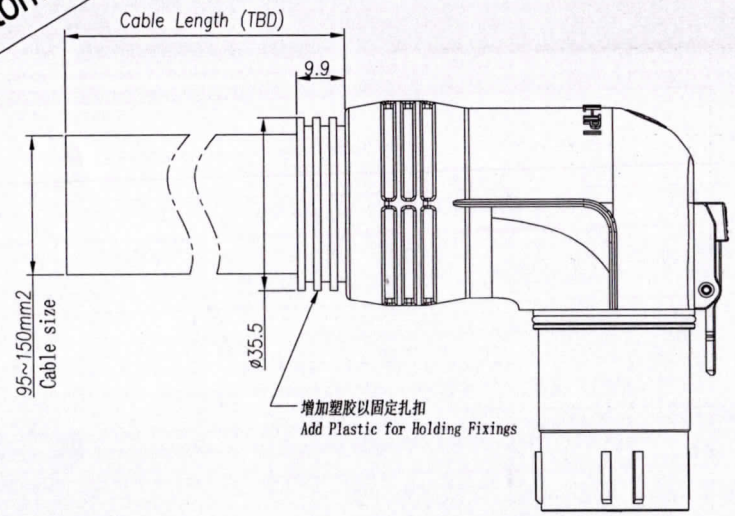


THIS DRAWING IS SUPPLIED FOR INFORMATION ONLY. DESIGN FEATURES, SPECIFICATIONS AND PERFORMANCE DATA SHOWN HEREON ARE THE PROPERTY OF THE AMPHENOL CORPORATION. NO RIGHTS OF REPRODUCTION ARE IMPLIED. ALL DIMENSIONS ARE SUBJECT TO NORMAL MANUFACTURING VARIATIONS.

Customer Drawing

REVISIONS						
REV	ZONE	ECO	DESCRIPTION	DATE	BY	APPR
A	--	--	Change The Color of Press Key	03/03/15	RW	EC
B	--	--	Change Overmold's Look	06/18/15	RW	EC
C	--	--	Update Cable specifications	12/12/17	Sam	Julie
D	--	--	Add Cable fixed point description	01/15/18	Sam	Julie
E	--	--	Update spec.	11/27/18	Fred	JL
F	--	--	Update dimensions	03/11/20	Steven	JL



订购信息 Ordering Information

PL20 X - 50 0 - 150

键位及颜色 Key & Color	高压互锁 HVIL	线缆大小 Cable Size
"X", 橙色 Orange	0, 不带互锁 No HVIL	"150"=150mm ²
"Y", 黑色 Black	1, 带互锁 With HVIL	"135"=135mm ² △
"U", 黄色 Yellow		"120"=120mm ²
"V", 绿色 Green		"95"=95mm ²
"W", 红色 Red		"70"=70mm ² △

- 规格参数 (Spec.):**
- 工作温度 Operating temperature: -40° C~+125° C.
 - 额定电流 Current rating (Connector Only):
70mm²: 250A; 95mm²: 300A; 120mm²: 400A; 135mm²: 450A; 150mm²: 500A. △
 - 额定电压 Operating voltage: 1000 VDC.
 - 耐电压 Dielectric withstanding voltage: 5000 VDC.
 - 防护等级 Protection class: IP67 & IP2X.
 - 电磁屏蔽 Shielding.
 - 机械寿命 Mating cycle: 100 Min. △
 - 带自动二次锁扣 Automatic secondary lock.
 - 带高压互锁 Electrical interlock (HVIL).
 - 对配插座见图纸 Mating receptacle see drawing: PL00-500.

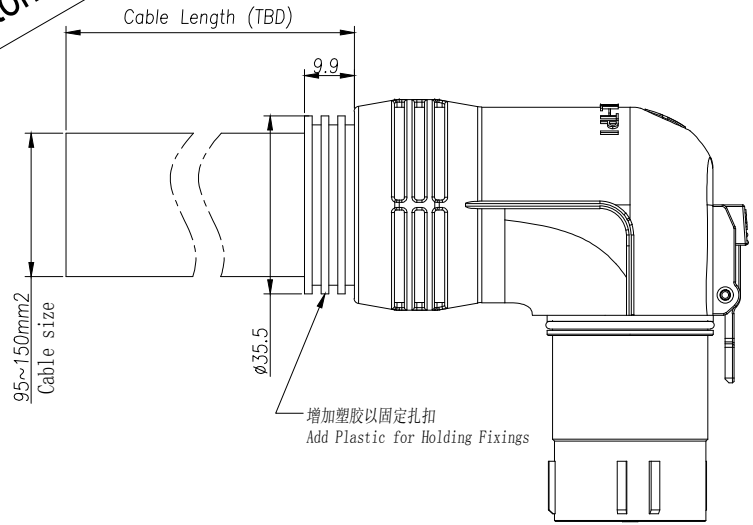
Amphenol TPI
2020-03-10
REGISTERED COPY

		Amphenol Technical Products International GZ				PART NAME: PowerLok 14-90 1POS Plug HVIL	
		第三角投影 THIRD ANGLE PROJECTION	页面 SHEET 1 of 1	幅面 SIZE A3	版次 REV. F	比例 SCALE 	DWG NO: PL20-500
签名 SIGNATURE: Steven		日期 DATE: 03/11/20		UNLESS OTHERWISE SPECIFIED 1) All dimensions are in metric (mm). 2) Tolerances are as follows: 0 PL DEC ±1.00 1 PL DEC ±0.50 2 PL DEC ±0.20		Angles ±1°	
制图 DRAWN: Steven	审核 CHECKED:	批准 APPROVAL:	日期 DATE: 2020.3.11				

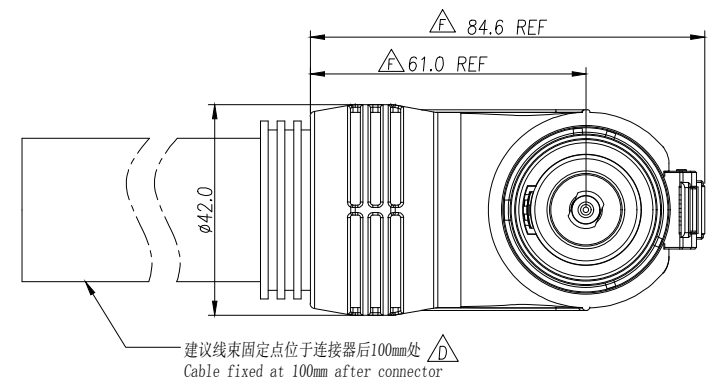
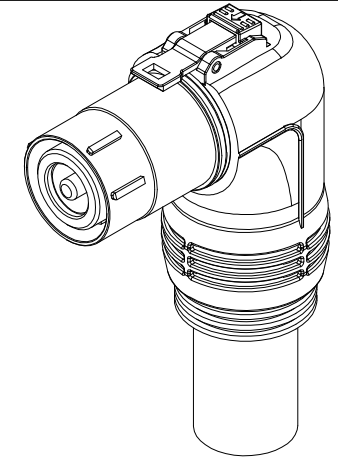
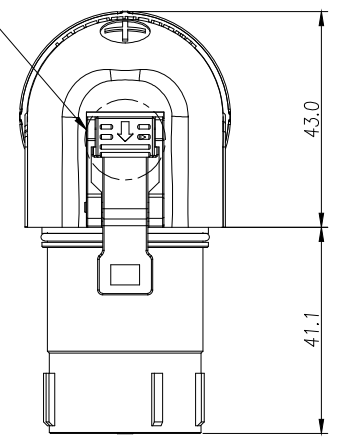
THIS DRAWING IS SUPPLIED FOR INFORMATION ONLY. DESIGN FEATURES, SPECIFICATIONS AND PERFORMANCE DATA SHOWN HEREON ARE THE PROPERTY OF THE AMPHENOL CORPORATION. NO RIGHTS OF REPRODUCTION ARE IMPLIED. ALL DIMENSIONS ARE SUBJECT TO NORMAL MANUFACTURING VARIATIONS.

REV		ZONE		ECO		DESCRIPTION		DATE	BY	APPR
A	--	--	--			Change The Color of Press Key		03/03/15	RW	EC
B	--	--	--			Change Overmold's Look		06/18/15	RW	EC
C	--	--	--			Update Cable specifications		12/12/17	Sam	Julie
D	--	--	--			Add Cable fixed point description		01/15/18	Sam	Julie
E	--	--	--			Update spec.		11/27/18	Fred	JL
F	--	--	--			Update dimensions		03/11/20	Steven	JL

Customer Drawing



△A 按键颜色见“订购信息”
The color of press key see “Ordering Information”



订购信息 Ordering Information

PL20 X - 50 0 - 150

键位及颜色 Key & Color	高压互锁 HVIL	线缆大小 Cable Size
"X", 橙色 Orange	0, 不带互锁 No HVIL	"150"=150mm ²
"Y", 黑色 Black	1, 带互锁 With HVIL	"135"=135mm ² △
"U", 黄色 Yellow		"120"=120mm ²
"V", 绿色 Green		"95"=95mm ²
"W", 红色 Red		"70"=70mm ² △

规格参数 (Spec.):

1. 工作温度 Operating temperature: -40° C~+125° C.
2. 额定电流 Current rating (Connector Only):
70mm²: 250A; 95mm²: 300A; 120mm²: 400A; 135mm²: 450A; 150mm²: 500A. △
3. 额定电压 Operating voltage: 1000 VDC.
4. 耐电压 Dielectric withstanding voltage: 5000 VDC.
5. 防护等级 Protection class: IP67 & IP2X.
6. 电磁屏蔽 Shielding.
7. 机械寿命 Mating cycle: 100 Min. △
8. 带自动二次锁扣 Automatic secondary lock.
9. 带高压互锁 Electrical interlock (HVIL).
10. 对配插座见图纸 Mating receptacle see drawing: PL00-500.

	Amphenol Technical Products International GZ					PART NAME: PowerLok 14-90 1POS Plug HVIL	
	第三角投影 THIRD ANGLE PROJECTION	页面 SHEET	幅面 SIZE	版次 REV.	比例 SCALE	DWG NO: PL20-500	
签名 SIGNATURE 制图 DRAWN 审核 CHECKED 批准 APPROVAL	日期 DATE Steven 03/11/20	UNLESS OTHERWISE SPECIFIED 1) All dimensions are in metric(mm). 2) Tolerances are as follows: 0 PL DEC ±1.00 1 PL DEC ±0.50 2 PL DEC ±0.20			CUST PART #: N/A		CUST REV. -