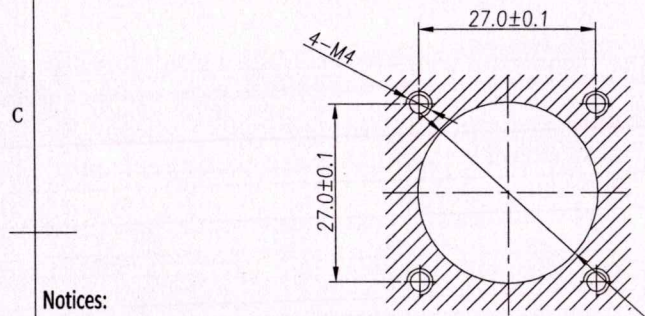
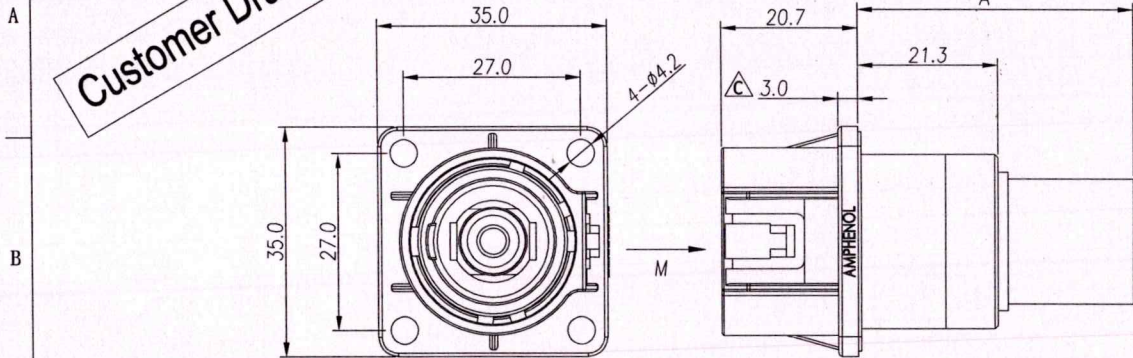


THIS DRAWING IS SUPPLIED FOR INFORMATION ONLY. DESIGN FEATURES, SPECIFICATIONS AND PERFORMANCE DATA SHOWN HEREON ARE THE PROPERTY OF THE AMPHENOL CORPORATION. NO RIGHTS OF REPRODUCTION ARE IMPLIED. ALL DIMENSIONS ARE SUBJECT TO NORMAL MANUFACTURING VARIATIONS.

**Customer Drawing**

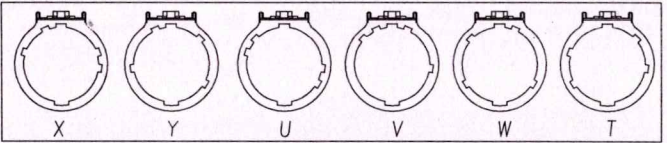


**订购信息 Ordering Information**

**PL00 X - 300 - 30D 95**

键位及颜色 Key & Color	线缆大小 Cable Size
"X", 橙色 Orange	"95"=95mm <sup>2</sup>
"Y", 黑色 Black	"70"=70mm <sup>2</sup>
"U", 黄色 Yellow	"50"=50mm <sup>2</sup>
"V", 绿色 Green	"35"=35mm <sup>2</sup>
"W", 红色 Red	
"T", 蓝色 Blue	

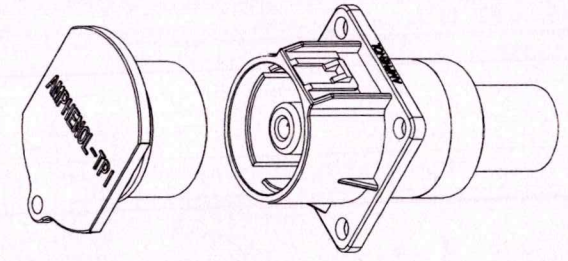
- Notices:**
1. All non-dimensioned surfaces according to 3D-model & 3
  2. Planeness of panel surface should less than or equal to 0.1mm 面板安装孔尺寸 Panel Size
  3. Roughness of panel surface should be  $\sqrt{6.3}$  or better.
  4. Thickness of panel should not exceed 12mm.



- 规格参数 (Spec.):**
1. 工作温度 Operating temperature: -40° C~+125° C.
  2. 额定电流 Current rating:  
35mm<sup>2</sup>:150A; 50mm<sup>2</sup>:200A; 70mm<sup>2</sup>:250A; 95mm<sup>2</sup>:300A;
  3. 额定电压 Operating voltage:1000 VDC.
  4. 耐电压 Dielectric withstanding voltage: 5000 VDC.
  5. 防护等级 Protection class:IP67 & IP2X.
  6. 电磁屏蔽 Shielding.
  7. 机械寿命 Mating cycle:100 Min.
  8. 带自动二次锁扣 Automatic secondary lock.
  9. 法兰盘螺丝安装扭矩 Screw Assembly Torque on Flange : 1.6~2.4 Nm

**Amphenol TPI**  
**2019-12-16**  
**REGISTERED COPY**

REVISIONS						
REV	ZONE	ECO	DESCRIPTION	DATE	BY	APPR
A	---	---	INITIAL RELEASE	06/16/14	RW	EC
C	---	---	Add Dimentions & Protection Class: IP2X	05/05/15	RW	EC
D	---	---	Change Dust Cap	03/30/16	RW	GX
E	---	---	Update Spec.	12/13/19	Steven	JL



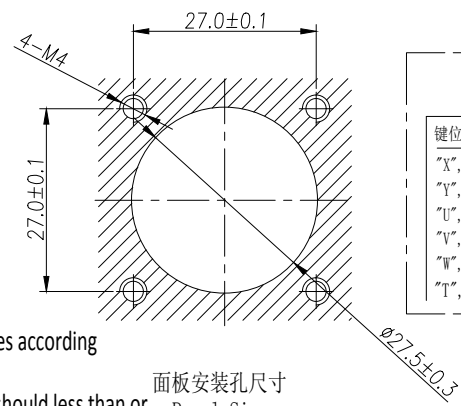
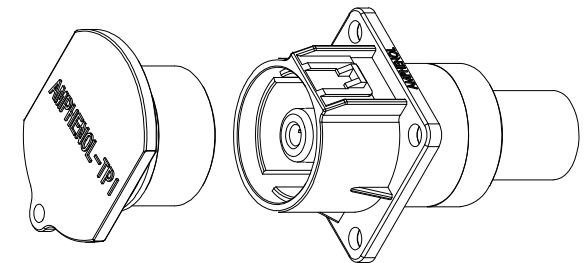
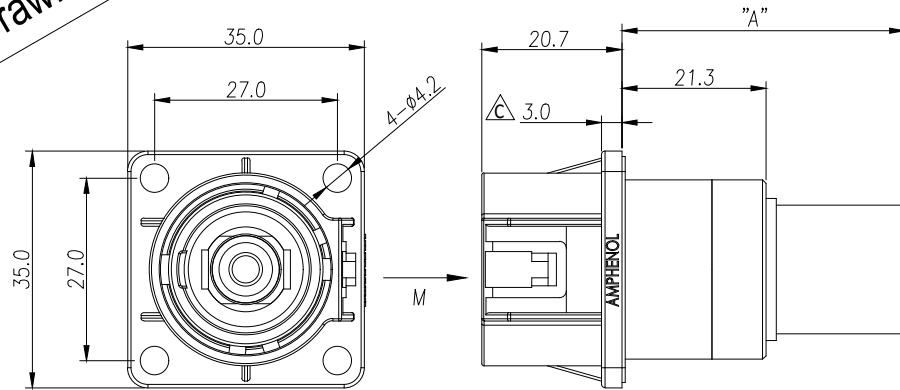
P/N	Model NO.	Polarization	Accepted Cable Size	Dimention "A"
AC-HA001454	PL00X-300-30D35	X	35mm <sup>2</sup>	37.3
AC-HA001455	PL00Y-300-30D35	Y		
AC-HA001456	PL00U-300-30D35	U		
AC-HA001457	PL00V-300-30D35	V		
AC-HA001458	PL00W-300-30D35	W		
AC-HA001459	PL00T-300-30D35	T		
AC-HA001460	PL00X-300-30D50	X	50mm <sup>2</sup>	39.3
AC-HA001461	PL00Y-300-30D50	Y		
AC-HA001462	PL00U-300-30D50	U		
AC-HA001463	PL00V-300-30D50	V		
AC-HA001464	PL00W-300-30D50	W		
AC-HA001465	PL00T-300-30D50	T		
AC-HA001466	PL00X-300-30D70	X	70mm <sup>2</sup>	41.8
AC-HA001467	PL00Y-300-30D70	Y		
AC-HA001468	PL00U-300-30D70	U		
AC-HA001469	PL00V-300-30D70	V		
AC-HA001470	PL00W-300-30D70	W		
AC-HA001471	PL00T-300-30D70	T		
AC-HA001818	PL00X-300-30D95	X	95mm <sup>2</sup>	41.8
AC-HA001819	PL00Y-300-30D95	Y		
AC-HA001820	PL00U-300-30D95	U		
AC-HA001821	PL00V-300-30D95	V		
AC-HA001822	PL00W-300-30D95	W		
AC-HA001823	PL00T-300-30D95	T		

<b>AMPHENOL</b> 		<b>Amphenol Technical Products International GZ</b>				PART NAME: PwrLok 10mm 1POS Rept Crimping	
		第三角投影 THIRD ANGLE PROJECTION 	页面 SHEET 1 of 1	幅面 SIZE A3	版次 REV. E	比例 SCALE E	DWG NO: PL00-300-30
签名 SIGNATURE Steven		日期 DATE 12/13/19		UNLESS OTHERWISE SPECIFIED 1) All dimensions are in metric (mm). 2) Tolerances are as follows: 0 PL DEC ±1.00 1 PL DEC ±0.50 2 PL DEC ±0.20		CUST PART #: N/A	
制图 DRAWN Steven		审核 CHECKED 		批准 APPROVAL 		Angles ±1° -	

THIS DRAWING IS SUPPLIED FOR INFORMATION ONLY. DESIGN FEATURES, SPECIFICATIONS AND PERFORMANCE DATA SHOWN HEREON ARE THE PROPERTY OF THE AMPHENOL CORPORATION. NO RIGHTS OF REPRODUCTION ARE IMPLIED. ALL DIMENSIONS ARE SUBJECT TO NORMAL MANUFACTURING VARIATIONS.

REV. ZONE			REVISIONS			
REV	ZONE	ECO	DESCRIPTION	DATE	BY	APPR
A	--	--	INITIAL RELEASE	06/16/14	RW	EC
C	--	--	Add Dimentions & Protection Class: IP2X	05/05/15	RW	EC
D	--	--	Change Dust Cap	03/30/16	RW	GX
E	--	--	Update Spec.	12/13/19	Steven	JL

**Customer Drawing**



订购信息 Ordering Information

**PL00 X - 300 - 30D 95**

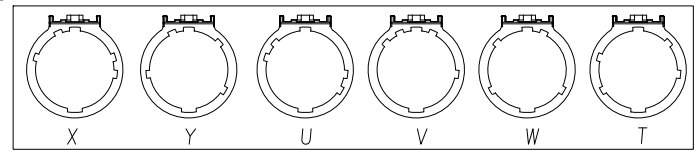
键位及颜色 Key & Color	线径大小 Cable Size
"X", 橙色 Orange	"95"=95mm <sup>2</sup>
"Y", 黑色 Black	"70"=70mm <sup>2</sup>
"U", 黄色 Yellow	"50"=50mm <sup>2</sup>
"V", 绿色 Green	"35"=35mm <sup>2</sup>
"W", 红色 Red	
"T", 蓝色 Blue	

P/N	Model NO.	Polarization	Accepted Cable Size	Dimention "A"
AC-HA001454	PL00X-300-30D35	X	35mm <sup>2</sup>	37.3
AC-HA001455	PL00Y-300-30D35	Y		
AC-HA001456	PL00U-300-30D35	U		
AC-HA001457	PL00V-300-30D35	V		
AC-HA001458	PL00W-300-30D35	W		
AC-HA001459	PL00T-300-30D35	T	50mm <sup>2</sup>	39.3
AC-HA001460	PL00X-300-30D50	X		
AC-HA001461	PL00Y-300-30D50	Y		
AC-HA001462	PL00U-300-30D50	U		
AC-HA001463	PL00V-300-30D50	V		
AC-HA001464	PL00W-300-30D50	W		
AC-HA001465	PL00T-300-30D50	T		
AC-HA001466	PL00X-300-30D70	X	70mm <sup>2</sup>	41.8
AC-HA001467	PL00Y-300-30D70	Y		
AC-HA001468	PL00U-300-30D70	U		
AC-HA001469	PL00V-300-30D70	V		
AC-HA001470	PL00W-300-30D70	W		
AC-HA001471	PL00T-300-30D70	T		
AC-HA001818	PL00X-300-30D95	X	95mm <sup>2</sup>	41.8
AC-HA001819	PL00Y-300-30D95	Y		
AC-HA001820	PL00U-300-30D95	U		
AC-HA001821	PL00V-300-30D95	V		
AC-HA001822	PL00W-300-30D95	W		
AC-HA001823	PL00T-300-30D95	T		

**Notices:**

- All non-dimensioned surfaces according to 3D-model & 3
- Planeness of panel surface should less than or equal to 0.1mm
- Roughness of panel surface should be  $\sqrt{6.3}$  or better.
- Thickness of panel should not exceed 12mm.

面板安装孔尺寸  
Panel Size



M方向键位示意图

规格参数 (Spec.):

- 工作温度 Operating temperature: -40° C~+125° C.
- 额定电流 Current rating:  
35mm<sup>2</sup>:150A; 50mm<sup>2</sup>:200A; 70mm<sup>2</sup>:250A; 95mm<sup>2</sup>:300A;
- 额定电压 Operating voltage:1000 VDC.
- 耐电压 Dielectric withstanding voltage: 5000 VDC.
- 防护等级 Protection class:IP67 & IP2X.
- 电磁屏蔽 Shielding.
- 机械寿命 Mating cycle:100 Min.
- 带自动二次锁扣 Automatic secondary lock.
- 法兰盘螺丝安装扭矩 Screw Assembly Torque on Flange : 1.6~2.4 Nm

	<b>Amphenol Technical Products International GZ</b>					PART NAME: PwrLok 10mm 1POS Rcpt Crimping	
	第三角投影 THIRD ANGLE PROJECTION	页面 SHEET	幅面 SIZE	版次 REV.	比例 SCALE	DWG NO: PL00-300-30	
签名 SIGNATURE Steven		日期 DATE 12/13/19		UNLESS OTHERWISE SPECIFIED 1) All dimensions are in metric(mm). 2) Tolerances are as follows: 0 PL DEC ±1.00 1 PL DEC ±0.50 2 PL DEC ±0.20		CUST PART #: N/A	
制图 DRAWN JM		审核 CHECKED JM		批准 APPROVAL JL		Angles ±1°	