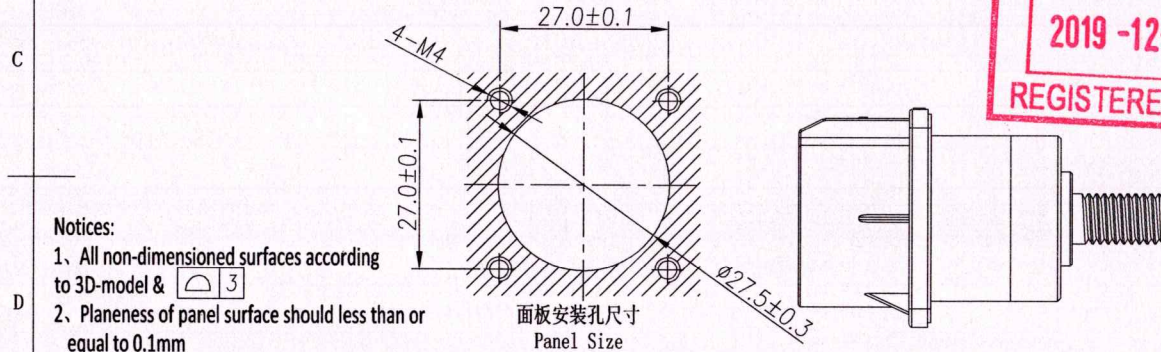
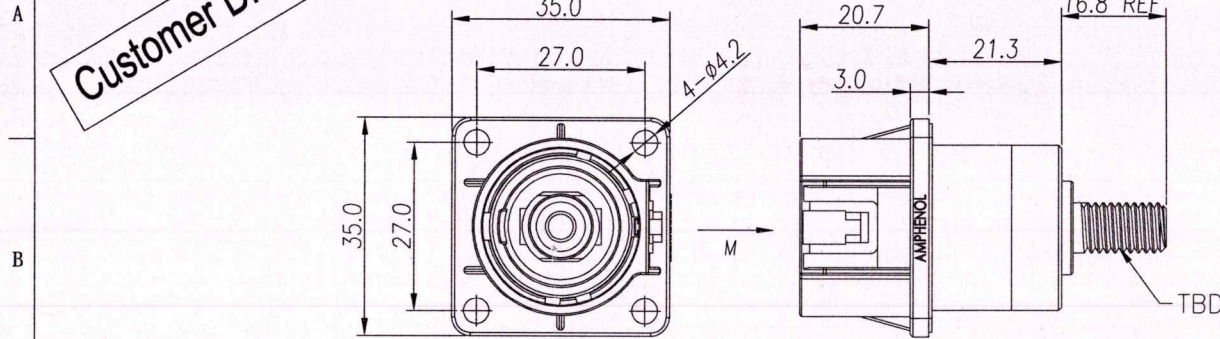


THIS DRAWING IS SUPPLIED FOR INFORMATION ONLY. DESIGN FEATURES, SPECIFICATIONS AND PERFORMANCE DATA SHOWN HEREON ARE THE PROPERTY OF THE AMPHENOL CORPORATION. NO RIGHTS OF REPRODUCTION ARE IMPLIED. ALL DIMENSIONS ARE SUBJECT TO NORMAL MANUFACTURING VARIATIONS.

Customer Drawing



Notices:

- All non-dimensioned surfaces according to 3D-model & 3
- Planeness of panel surface should be less than or equal to 0.1mm
- Roughness of panel surface should be $\sqrt{6.3}$ or better.
- Thickness of panel should not exceed 12mm.

规格参数 (Spec.):

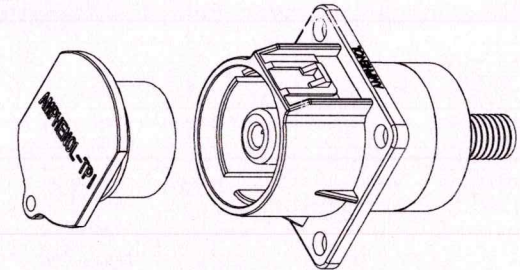
- 工作温度 Operating temperature: $-40^{\circ}\text{C} \sim +125^{\circ}\text{C}$.
- 额定电流 Current rating: 300 A.
- 额定电压 Operating voltage: 1000 VDC.
- 耐电压 Dielectric withstanding voltage: 5000 VDC.
- 防护等级 Protection class: IP67 & IP2X.
- 电磁屏蔽 Shielding.
- 机械寿命 Mating cycle: 100 Min.
- 带自动二次锁扣 Automatic secondary lock.
- 铜排推荐安装扭矩 Recommended Fasten Torque on Rear Stud:
M6 : 3.6~4.4 Nm
M8 : 7.2~8.8 Nm
M10: 17.1~20.9 Nm
- 法兰盘螺丝安装扭矩 Screw Assembly Torque on Flange : 1.6~2.4 Nm

订购信息 Ordering Information

PL00 X - 300 - 20 M10

键位及颜色 Key & Color	螺纹 Thread
"X", 橙色 Orange	M10
"Y", 黑色 Black	M8
"U", 黄色 Yellow	
"V", 绿色 Green	
"W", 红色 Red	
"T", 蓝色 Blue	

REVISIONS						
REV	ZONE	ECO	DESCRIPTION	DATE	BY	APPR
A	---	---	Add dimintions	---	RW	EC
D	---	---	Change Dust Cap & Fasten Torsion	06/23/16	RW	GX
E	---	---	ADD T Key Model	08/01/18	ST	JL
F	---	---	Update Spec.	12/13/19	Steven	JL

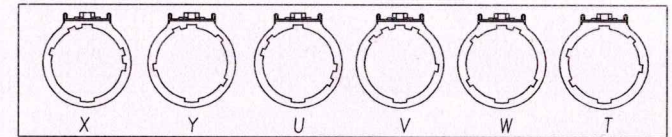


M10 Screw Standard Part List

P/N	Model NO.	Polarization
AC-HA000573	PL00X-300-20M10	X
AC-HA000574	PL00Y-300-20M10	Y
AC-HA000575	PL00U-300-20M10	U
AC-HA000576	PL00V-300-20M10	V
AC-HA000577	PL00W-300-20M10	W
AC-HA001387	PL00T-300-20M10	T

M8 Screw Standard Part List

P/N	Model NO.	Polarization
AC-HA000596	PL00X-300-20M8	X
AC-HA000597	PL00Y-300-20M8	Y
AC-HA000598	PL00U-300-20M8	U
AC-HA000599	PL00V-300-20M8	V
AC-HA000600	PL00W-300-20M8	W
AC-HA001390	PL00T-300-20M8	T

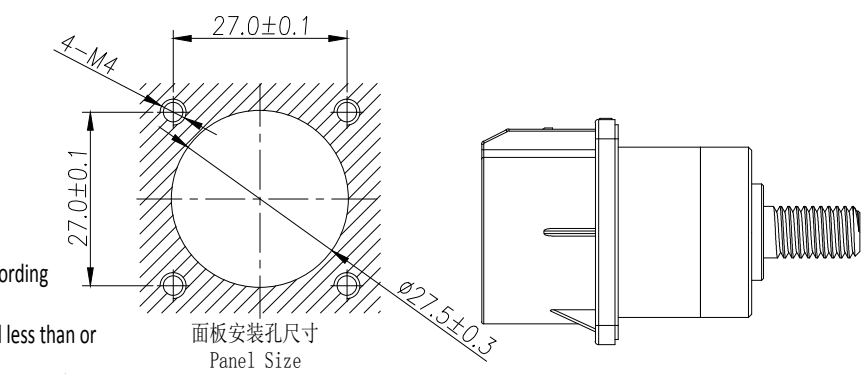
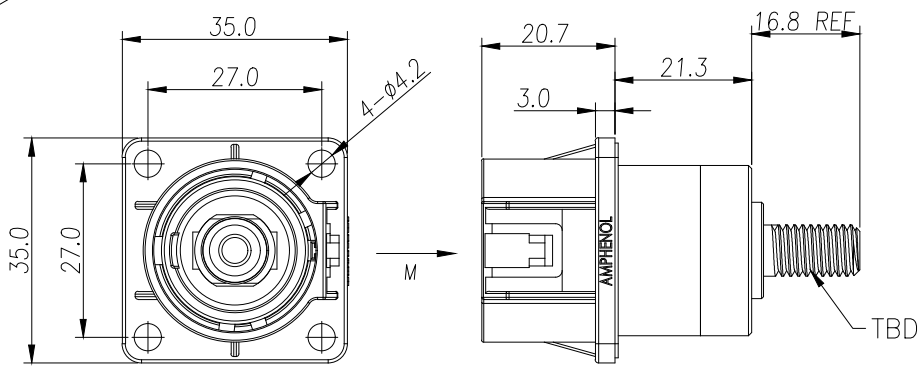


M方向键位示意图

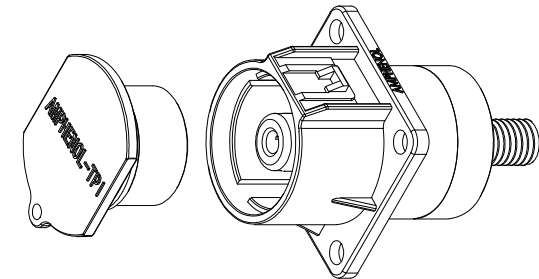
		Amphenol Technical Products International GZ				PART NAME: PwrLok 10mm 1POS Rcpt Stud	
		第三角投影 THIRD ANGLE PROJECTION	页码 SHEET 1 of 1	幅面 SIZE A3	版次 REV. F	比例 SCALE F	DWG NO.: PL00-300-20
签名 SIGNATURE Steven		日期 DATE 12/13/19		1) All dimensions are in metric (mm). 2) Tolerances are as follows: 0 PL DEC ±1.00 1 PL DEC ±0.50 2 PL DEC ±0.20		DWG NO.: PL00-300-20	
制图 DRAWN Steven		审核 CHECKED Jan 8 2019 12/13		批准 APPROVAL Jan 8 2019 12/13		CUST PART #: N/A	
				Angles ±1°		CUST REV. -	

THIS DRAWING IS SUPPLIED FOR INFORMATION ONLY. DESIGN FEATURES, SPECIFICATIONS AND PERFORMANCE DATA SHOWN HEREON ARE THE PROPERTY OF THE AMPHENOL CORPORATION. NO RIGHTS OF REPRODUCTION ARE IMPLIED. ALL DIMENSIONS ARE SUBJECT TO NORMAL MANUFACTURING VARIATIONS.

Customer Drawing



REV		ZONE		ECO		REVISIONS		DATE		BY		APPR	
DESCRIPTION						DATE		BY		APPR			
A	--	--	--	--	--	Add dimentions		--	--	RW	EC		
D	--	--	--	--	--	Change Dust Cap & Fasten Torsion		06/23/16	--	RW	GX		
E	--	--	--	--	--	ADD T Key Model		08/01/18	--	ST	JL		
F	--	--	--	--	--	Update Spec.		12/13/19	--	Steven	JL		

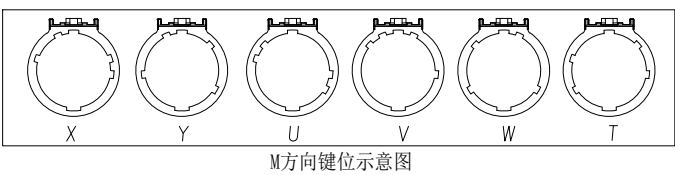


M10 Screw Standard Part List

P/N	Model NO.	Polarization
AC-HA000573	PL00X-300-20M10	X
AC-HA000574	PL00Y-300-20M10	Y
AC-HA000575	PL00U-300-20M10	U
AC-HA000576	PL00V-300-20M10	V
AC-HA000577	PL00W-300-20M10	W
AC-HA001387	PL00T-300-20M10	T

M8 Screw Standard Part List

P/N	Model NO.	Polarization
AC-HA000596	PL00X-300-20M8	X
AC-HA000597	PL00Y-300-20M8	Y
AC-HA000598	PL00U-300-20M8	U
AC-HA000599	PL00V-300-20M8	V
AC-HA000600	PL00W-300-20M8	W
AC-HA001390	PL00T-300-20M8	T



Notices:

- All non-dimensioned surfaces according to 3D-model & 3
- Planeness of panel surface should less than or equal to 0.1mm
- Roughness of panel surface should be $\sqrt{6.3}$ or better.
- Thickness of panel should not exceed 12mm.

规格参数 (Spec.):

- 工作温度 Operating temperature: $-40^{\circ}\text{C} \sim +125^{\circ}\text{C}$.
- 额定电流 Current rating: 300 A.
- 额定电压 Operating voltage: 1000 VDC.
- 耐电压 Dielectric withstanding voltage: 5000 VDC.
- 防护等级 Protection class: IP67 & IP2X.
- 电磁屏蔽 Shielding.
- 机械寿命 Mating cycle: 100 Min.
- 带自动二次锁扣 Automatic secondary lock.
- 铜排推荐安装扭矩 Recommended Fasten Torque on Rear Stud:
 - M6 : 3.6~4.4 Nm
 - M8 : 7.2~8.8 Nm
 - M10: 17.1~20.9 Nm
- 法兰盘螺丝安装扭矩 Screw Assembly Torque on Flange : 1.6~2.4 Nm

订购信息 Ordering Information

PL00 X - 300 - 20 M10

<p>键位及颜色 Key & Color</p> <ul style="list-style-type: none"> "X", 橙色 Orange "Y", 黑色 Black "U", 黄色 Yellow "V", 绿色 Green "W", 红色 Red "T", 蓝色 Blue 	<p>螺纹 Thread</p> <p>M10</p> <p>M8</p>
--	---------------------------------------

	Amphenol Technical Products International GZ					PART NAME:	
	第三角投影 THIRD ANGLE PROJECTION	页面 SHEET	幅面 SIZE	版次 REV.	比例 SCALE	PwrLok 10mm 1POS Rcpt Stud	
签名 SIGNATURE	日期 DATE	UNLESS OTHERWISE SPECIFIED			DWG NO:		
制图 DRAWN	Steven	12/13/19	1) All dimensions are in metric(mm). 2) Tolerances are as follows:			PL00-300-20	
审核 CHECKED	YM	12/13/19	0 PL DEC ±1.00 1 PL DEC ±0.50 2 PL DEC ±0.20			CUST PART #:	
批准 APPROVAL	JL	12/13/19	Angles ±1°			N/A	
						CUST REV.:	
						-	