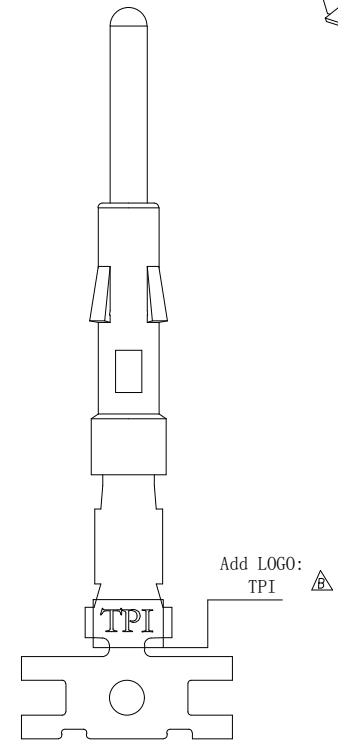
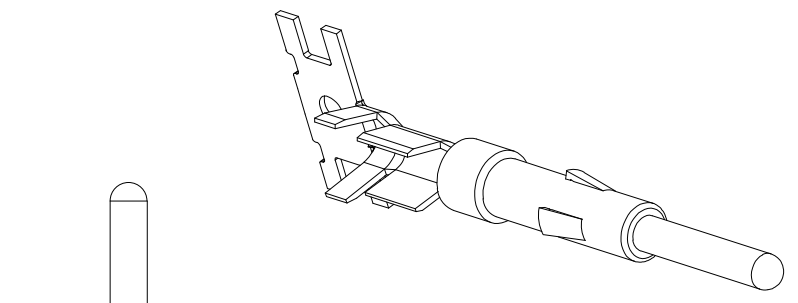
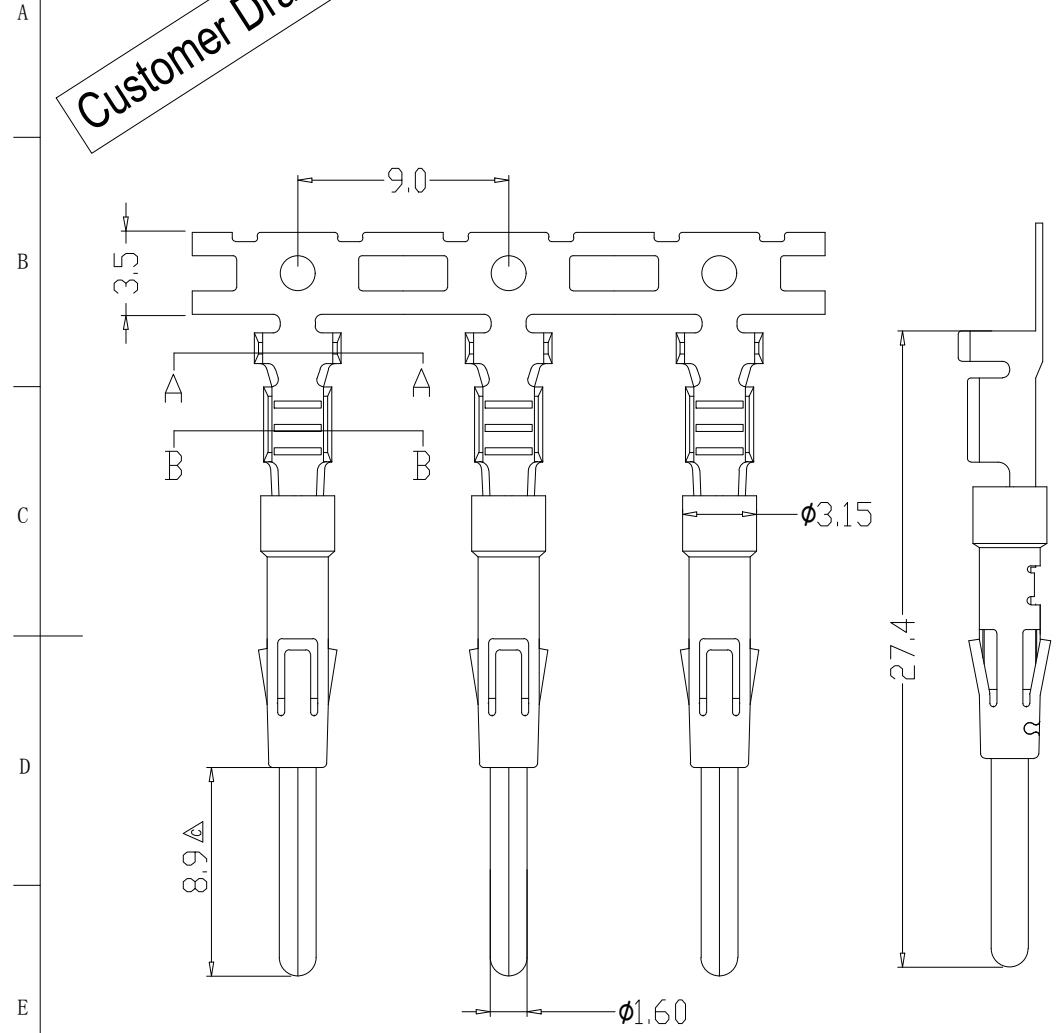


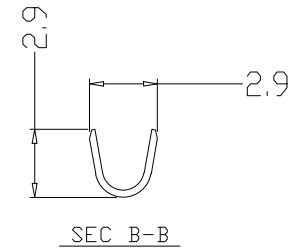
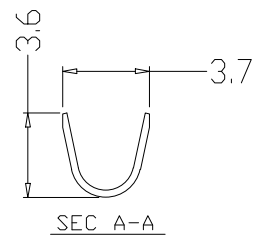
THIS DRAWING IS SUPPLIED FOR INFORMATION ONLY. DESIGN FEATURES, SPECIFICATIONS AND PERFORMANCE DATA SHOWN HEREON ARE THE PROPERTY OF THE AMPHENOL CORPORATION. NO RIGHTS OF REPRODUCTION ARE IMPLIED. ALL DIMENSIONS ARE SUBJECT TO NORMAL MANUFACTURING VARIATIONS.

Customer Drawing

REV		ZONE	ECO	DESCRIPTION	DATE	BY	APPR
REVISIONS							
A	--	--		INITIAL RELEASE	11/22/18	FL	JL
B	--	--		Add LOGO	05/08/19	FL	JL
C	--	--		Tolerance error update, remove the gold-plated terminal	05/12/20	JS	JL



- 注 (NOTES):
- 对配母端直径 Mating contact diameter: 1.6mm
 - 额定电流 Current rating: 13A
 - 端子类型 Terminatin type: Crimp
 - 压线规格 Wire size: AWG16~18
 - 电镀信息 Plating specification:
镍底镀锡 Tin over nickel
 - 材料规格 Material specification:
 - 端子: 铜合金
Contact body: Copper alloy
 - 外套: 不锈钢
Outer spring: Stainless steel
 - 符合ROHS
ROHS compliant



	Amphenol Technical Products International GZ					
	第三角投影 THIRD ANGLE PROJECTION	页面 SHEET 1 OF 1	幅面 SIZE A3	版次 REV. C	比例 SCALE	PART NAME: HC Contact 16#Pin AWG16~18
签名 SIGNATURE 制图 DRAWN JS 审核 CHECKED YM 批准 APPROVAL JL	日期 DATE 05/12/20 05/12/20 05/12/20	UNLESS OTHERWISE SPECIFIED 1) All dimensions are in metric(mm). 2) Tolerances are as follows: 1 PL DEC ±1.00 2 PL DEC ±0.50 3 PL DEC ±0.20			DWG NO: HCTM21504	CUST PART #: N/A
			Angles ±1°		CUST REV. -	