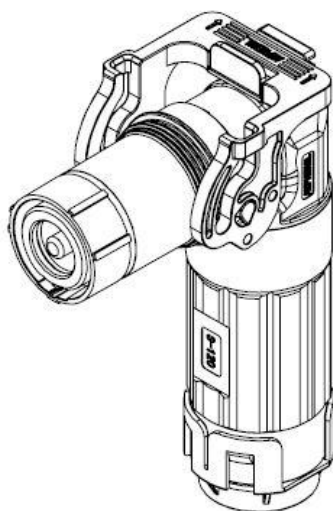
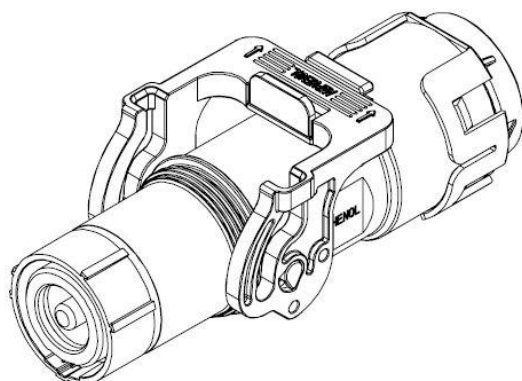


PowerLok G2 插头线束安装说明

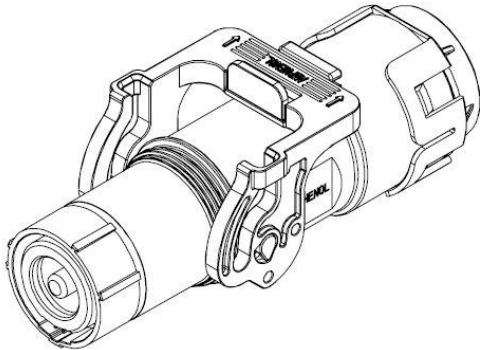
PowerLok G2 Plug harness Installation Manual



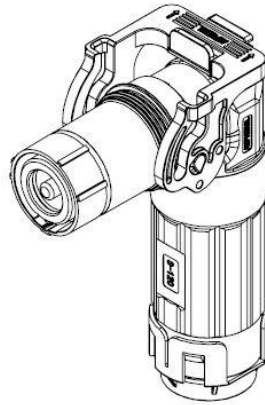
PowerLok 插头连接器安装说明

PowerLok connector plug installation instruction

插头Plug



直头Straight



弯头Right Angle

安装步骤 Installation Steps:

1. 选择合适连接头 (颜色识别)

Select the specified connector(Color indication)



连接器键位 Connector Key	X	Y	U	V	W	T
插座防触盖颜色 Receptacle touch cap color	橙色 OR	黑色 BK	黄色 YL	绿色 GR	红色 RE	蓝色 BL
插头防触pin颜色 Plug touch pin Color	橙色 OR	黑色 BK	黄色 YL	绿色 GR	红色 RE	蓝色 BL

2. 插头插入指引 | Plug Insertion Guideline



- a. 取对应的连接器线束，向左推开橙色锁扣解锁

Take the plug harness and push left the ORANGE CPA to unlock (red arrow)



- b. 翻转摇杆90度

Turn back lever lock 90 degrees



- c. 将插头水平插入插座中，使插座两边凸点到达插头摇杆滑轨底部

Insert plug into receptacle horizontally make sure the key (both side) touch the end of the plug lever lock



- d. 向回拉动\推动摇杆90度使两边凸点到达摇杆底部 (不要推动插头)

Pull\Push back the lever lock 90 degrees until the key (both side) touch the bottom of the lever lock (DO NOT push the plug)



- e. 向右方用手推动橙色按钮，直到听到“嗒”的一声，回拉插头，无退位现象则安装到位

Pull\Push back the ORANGE CPA until a “click” to finish the installation.

Pull back the plug and no movement

3. 线束安装 Cable installation



- a. 安装完成后线缆需要固定，固定位置位于插头后100mm之内

The cable shall be fixed within 100mm from back of plug cover after plug installation



- b. 线缆固定完成后，此位置区域内不能受到任何应力影响

No stress is allowed in these area

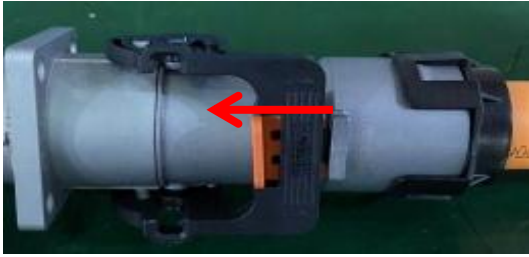
注意：

- ①不能直接暴露在冰、碎石、紫外线等恶劣环境中。
- ②排线和线束固定应该考虑到连接器不能受到任何应力，尤其是由线束本身的重或者排线带来的力矩的影响。

Note:

- ①Can not be directly exposed to ice, gravel, UV and other harsh environment.
- ②Harness layout should avoid any stress applied on the connectors, which is brought by the harness weight or external torques, etc.

4. 插头拔出指引 | Pulling Out Plug From Receptacle Guideline



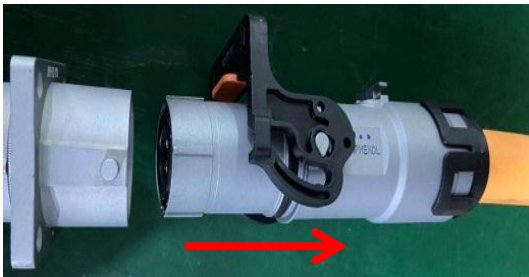
a. 向左推开橙色锁扣解锁

Push left the ORANGE CPA to unlock (red arrow)



b. 翻转摇杆90度，同时慢慢向右方拨动插头，直到插座凸点到达插头摇杆滑轨底部

Turn back lever lock 90 degrees slowly by hand and pull back the plug slowly at the same time with the other hand, make sure the keys (both side) touch the end of the plug lever lock (circled in red) and are level to the lever lock exits (circled in yellow)



c. 将插头水平拔出插座

Pull out the plug from the receptacle, keep the plug being level with the receptacle until the plug is fully out from the receptacle

注意：禁止在未解开CPA的状态下，强行用工具撬开插头

Warning: It is forbidden to pull out the plug with tools without unlocking the CPA



Amphenol Technical Products International provides the above product specifications for the standard PowerLok series of connectors to assist users in identifying the correct product for the system to which the connectors may be applied. Specifications are subject to change without notice. Contact your nearest Amphenol Corporation Sales Office for the latest specifications. All statements, information and data given herein are believed to be accurate and reliable but are presented without guarantee, warranty, or responsibility of any kind, expressed or implied. Statements of suggestions concerning possible use of our products are made without representation or warranty that any such use is free of patent infringement and are not recommendations to infringe any patent. Specifications are typical and may not apply to all connectors. Note that these specifications are derived from relevant global standards used in the automotive and industrial transportation markets, but they are not a substitute for system level design validation testing, which is the sole responsibility of the system designer and/or end user.

Asia Pacific

ChangZhou, China
Tel: +86 519-8981 9713
Add: No.11 Fengxiang Road, New District, Changzhou, Jiangsu
P.C: 213001

Asia Pacific

GuangZhou, China
Tel: +86 20-3210 6099
Add: 9th Floor, No. 10, the 4th Street, Kehui Jingu, Luogang District, Guangzhou ,Guangdong
P.C: 510663

North America

Winnipeg, Canada
Tel: +1 204 697 2222
Add: 2110 Notre Dame Avenue

Europe

Milano, Italy
Tel: +39 02 932541
Add: Via Barbaiana 5, 20020 Lainate(MI)

Email: info@Amphenol-GEC.com