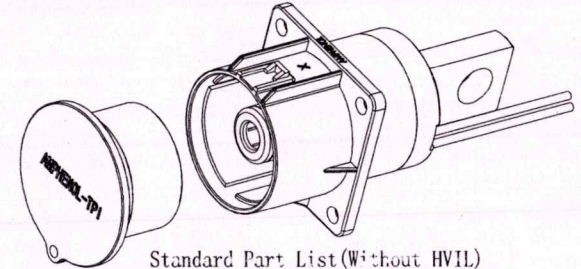
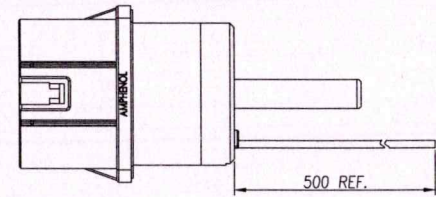
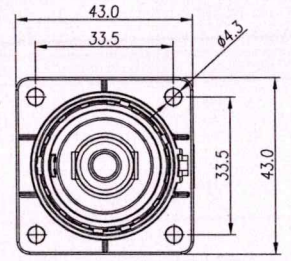


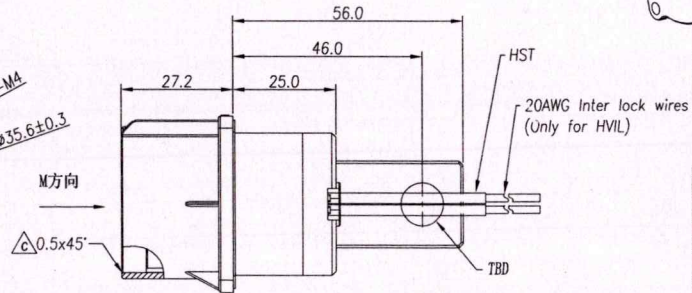
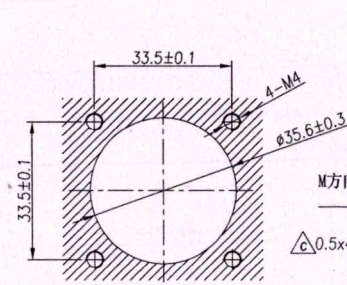
THIS DRAWING IS SUPPLIED FOR INFORMATION ONLY. DESIGN FEATURES, SPECIFICATIONS AND PERFORMANCE DATA SHOWN HEREON ARE THE PROPERTY OF THE AMPHENOL CORPORATION. NO RIGHTS OF REPRODUCTION ARE IMPLIED. ALL DIMENSIONS ARE SUBJECT TO NORMAL MANUFACTURING VARIATIONS.

Customer Drawing

REVISIONS						
REV	ZONE	ECO	DESCRIPTION	DATE	BY	APPR
A	--	--	Add fasten torque on lug and flange	08/14/15	RW	TS
B	--	--	Change HVIL Wire, Update Spec.	03/31/16	RW	TS
C	--	--	增加倒角标注	01/17/17	SW	TS
D	--	--	修改键位示意图	12/03/19	Steven	JL
E	--	--	修改图面错误	12/11/19	Steven	JL



Amphenol TPI
2019-12-11
REGISTERED COPY



Standard Part List (Without HVIL)

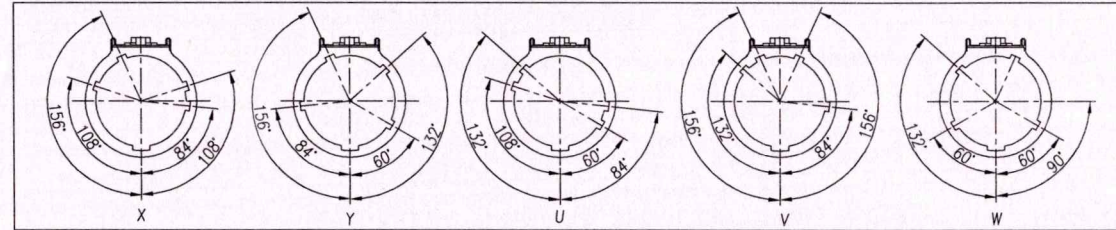
P/N	Model NO.	Polarization
AC-HA000411	PL00X-500-90D10	X
AC-HA000522	PL00Y-500-90D10	Y

Standard Part List (With HVIL)

P/N	Model NO.	Polarization
EX-HA000793	PL00X-501-90D8	X
EX-HA000794	PL00Y-501-90D8	Y
EX-HA000795	PL00U-501-90D8	U
EX-HA000796	PL00V-501-90D8	V
EX-HA000797	PL00W-501-90D8	W
EX-HA000748	PL00X-501-90D10	X
EX-HA000803	PL00Y-501-90D10	Y
EX-HA000804	PL00U-501-90D10	U
EX-HA000805	PL00V-501-90D10	V
EX-HA000806	PL00W-501-10D10	W
EX-HA000798	PL00X-501-90M8	X
EX-HA000799	PL00Y-501-90M8	Y
EX-HA000800	PL00U-501-90M8	U
EX-HA000801	PL00V-501-90M8	V
EX-HA000802	PL00W-501-90M8	W
EX-HA000807	PL00X-501-90M10	X
EX-HA000808	PL00Y-501-90M10	Y
EX-HA000809	PL00U-501-90M10	U
EX-HA000810	PL00V-501-90M10	V
EX-HA000811	PL00W-501-90M10	W

面板安装孔尺寸
Panel Size

M方向键位示意图



- 规格参数 (Spec.):**
- 工作温度 Operating temperature: -40°C ~ +125°C
 - 带高压互锁 Electrical interlock (HVIL)
 - 额定电流 Current rating: Power: 500A; HVIL: 5A
 - 额定电压 Operating voltage: Power: 1000 VDC; Signal: 60 VDC
 - 耐压 Dielectric withstanding voltage:
 - 与插头对插后, Pin与铁壳之间 After mating, between pin and metal shell :5000 VDC.
 - 与插头对插后, Pin与HVIL之间 After mating, between pin and HVIL :5000 VDC.
 - 与插头对插后, HVIL与铁壳之间 After mating, between HVIL and metal shell :500 VDC.
 - 与插头对插前, 两个HVIL端子之间耐压 Before mating, between two HVIL terminals :500 VDC.
 - 防护等级 Protection class: IP67 & IP2X.
 - 电磁屏蔽 Shielding.
 - 机械寿命 Mating cycle: 100 Min.
 - 带自动二次锁扣 Automatic secondary lock.
 - 推荐安装扭矩 Recommended Fasten Torque on Lug:
 - M6 : 3.6~4.4 Nm
 - M8 : 7.2~8.8 Nm
 - M10: 17.1~20.9 Nm
 - 推荐法兰盘螺丝安装扭矩 Recommended Screw Assembly Torque on Flange : 1.6~2.4 Nm

订购信息 Ordering Information

PL00 X - 50 0 - 90 D 10

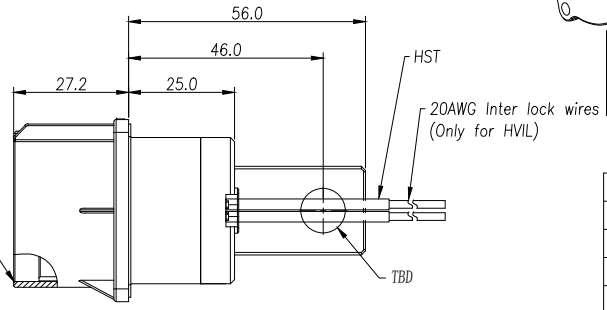
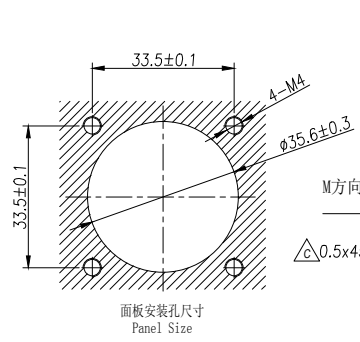
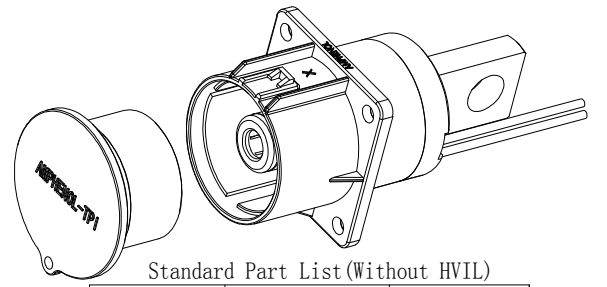
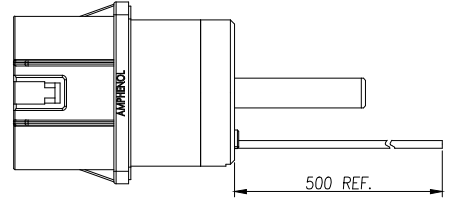
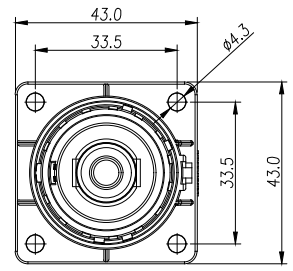
键位及颜色 Key & Color "X", 橙色 Orange "Y", 黑色 Black "U", 黄色 Yellow "V", 绿色 Green "W", 红色 Red	高压互锁 HVIL 0, 不带互锁 No HVIL 1, 带互锁 With HVIL	孔种类 Hole Type D, 通孔 Through Hole M, 螺孔 Screw Hole	联接螺栓 Bolt Size Customer Define
---	---	--	--

AMPHENOL TPI		Amphenol Technical Products International GZ			
第三角投影 THIRD ANGLE PROJECTION	页码 SHEET	幅面 SIZE	版次 REV.	比例 SCALE	PART NAME: PwrLok 14mm 1POS Rcpt 90D Lug
签名 SIGNATURE: Steven		日期 DATE: 12/11/19		UNLESS OTHERWISE SPECIFIED 1) All dimensions are in metric (mm). 2) Tolerances are as follows: 0 PL DEC ±1.00 1 PL DEC ±0.50 2 PL DEC ±0.20	
制图 DRAWN: Steven		审核 CHECKED: <i>Jamb</i>		DWG NO.: PL00-500-90	
批准 APPROVAL: <i>Jamb</i>		日期 DATE: 2019.12.11		CUST PART #: N/A	

THIS DRAWING IS SUPPLIED FOR INFORMATION ONLY. DESIGN FEATURES, SPECIFICATIONS AND PERFORMANCE DATA SHOWN HEREON ARE THE PROPERTY OF THE AMPHENOL CORPORATION. NO RIGHTS OF REPRODUCTION ARE IMPLIED. ALL DIMENSIONS ARE SUBJECT TO NORMAL MANUFACTURING VARIATIONS.

Customer Drawing

REV. ZONE			REVISIONS			
REV	ZONE	ECO	DESCRIPTION	DATE	BY	APPR
A	--	--	Add fasten torque on lug and flange	08/14/15	RW	TS
B	--	--	Change HVIL Wire, Update Spec.	03/31/16	RW	TS
C	--	--	增加倒角标注	01/17/17	SW	TS
D	--	--	修改键位示意图	12/03/19	Steven	JL
E	--	--	修改图面错误	12/11/19	Steven	JL



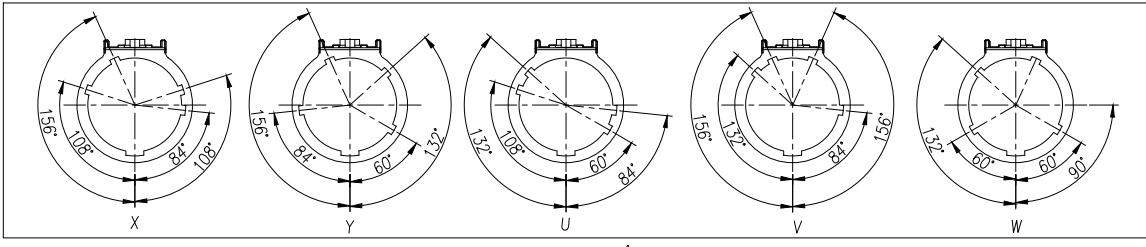
Standard Part List (Without HVIL)

P/N	Model NO.	Polarization
AC-HA000411	PL00X-500-90D10	X
AC-HA000522	PL00Y-500-90D10	Y

Standard Part List (With HVIL)

P/N	Model NO.	Polarization
EX-HA000793	PL00X-501-90D8	X
EX-HA000794	PL00Y-501-90D8	Y
EX-HA000795	PL00U-501-90D8	U
EX-HA000796	PL00V-501-90D8	V
EX-HA000797	PL00W-501-90D8	W
EX-HA000748	PL00X-501-90D10	X
EX-HA000803	PL00Y-501-90D10	Y
EX-HA000804	PL00U-501-90D10	U
EX-HA000805	PL00V-501-90D10	V
EX-HA000806	PL00W-501-10D10	W
EX-HA000798	PL00X-501-90M8	X
EX-HA000799	PL00Y-501-90M8	Y
EX-HA000800	PL00U-501-90M8	U
EX-HA000801	PL00V-501-90M8	V
EX-HA000802	PL00W-501-90M8	W
EX-HA000807	PL00X-501-90M10	X
EX-HA000808	PL00Y-501-90M10	Y
EX-HA000809	PL00U-501-90M10	U
EX-HA000810	PL00V-501-90M10	V
EX-HA000811	PL00W-501-90M10	W

M方向键位示意图



- 规格参数 (Spec.):
- 工作温度 Operating temperature: -40° C ~ +125° C.
 - 带高压互锁 Electrical interlock (HVIL).
 - 额定电流 Current rating: Power: 500A; HVIL: 5A.
 - 额定电压 Operating voltage: Power: 1000 VDC; Signal: 60 VDC.
 - 耐电压 Dielectric withstanding voltage:
 - A. 与插头对插后, Pin与铁壳之间
After mating, between pin and metal shell :5000 VDC.
 - B. 与插头对插后, Pin与HVIL之间
After mating, between pin and HVIL :5000 VDC.
 - C. 与插头对插后, HVIL与铁壳之间
After mating, between HVIL and metal shell :500 VDC.
 - D. 与插头对插前, 两个HVIL端子之间耐压
Before mating, between two HVIL terminals :500 VDC.

订购信息 Ordering Information

PL00	X	-	50	0	-	90	D	10
键位及颜色 Key & Color		高压互锁 HVIL		孔种类 Hole Type		联接螺栓 Bolt Size		
"X", 橙色 Orange		0, 不带互锁 No HVIL		D, 通孔 Through Hole		Customer Define		
"Y", 黑色 Black		1, 带互锁 With HVIL		M, 螺纹孔 Screw Hole				
"U", 黄色 Yellow								
"V", 绿色 Green								
"W", 红色 Red								

- 防护等级 Protection class: IP67 & IP2X.
- 电磁屏蔽 Shielding.
- 机械寿命 Mating cycle: 100 Min.
- 带自动二次锁扣 Automatic secondary lock.
- 铜排推荐安装扭矩 Recommended Fasten Torque on Lug:
 - M6 : 3.6~4.4 Nm
 - M8 : 7.2~8.8 Nm
 - M10: 17.1~20.9 Nm
- 推荐法兰盘螺丝安装扭矩 Recommended Screw Assembly Torque on Flange : 1.6~2.4 Nm

	Amphenol Technical Products International GZ					
	第三角投影 THIRD ANGLE PROJECTION	页面 SHEET	幅面 SIZE	版次 REV.	比例 SCALE	PART NAME: PwrLok 14mm 1POS Rcpt 90D Lug
签名 SIGNATURE		日期 DATE		UNLESS OTHERWISE SPECIFIED		DWG NO: PL00-500-90
制图 DRAWN		Steven		1) All dimensions are in metric (mm). 2) Tolerances are as follows: 0 PL DEC ±1.00 1 PL DEC ±0.50 2 PL DEC ±0.20		CUST PART #: N/A
审核 CHECKED		YM		Angles ±1°		CUST REV. -
批准 APPROVAL		JL				