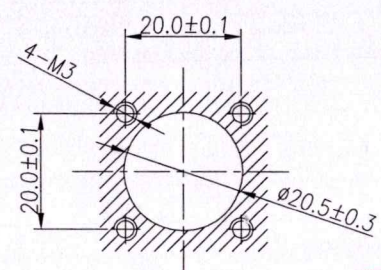
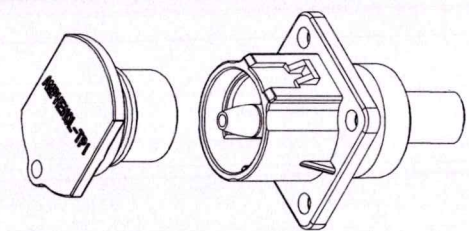
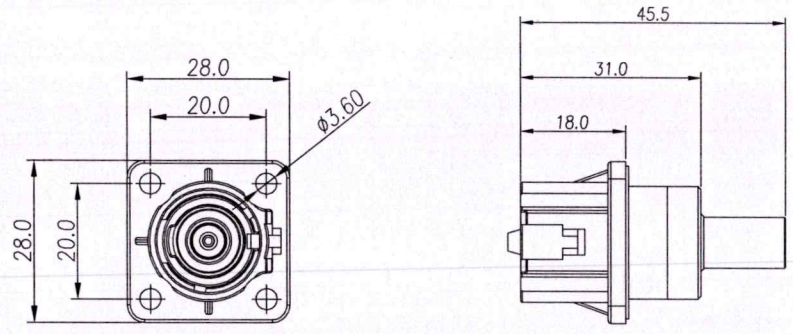


THIS DRAWING IS SUPPLIED FOR INFORMATION ONLY. DESIGN FEATURES, SPECIFICATIONS AND PERFORMANCE DATA SHOWN HEREON ARE THE PROPERTY OF THE AMPHENOL CORPORATION. NO RIGHTS OF REPRODUCTION ARE IMPLIED. ALL DIMENSIONS ARE SUBJECT TO NORMAL MANUFACTURING VARIATIONS.

Customer Drawing

REVISIONS						
REV	ZONE	ECO	DESCRIPTION	DATE	BY	APPR
A	---	---	INITIAL RELEASE	06/16/14	RW	EC
B	---	---	Change Dust Cap	03/31/16	RW	TS
C	---	---	Update Spec.	12/02/19	Fred	JL

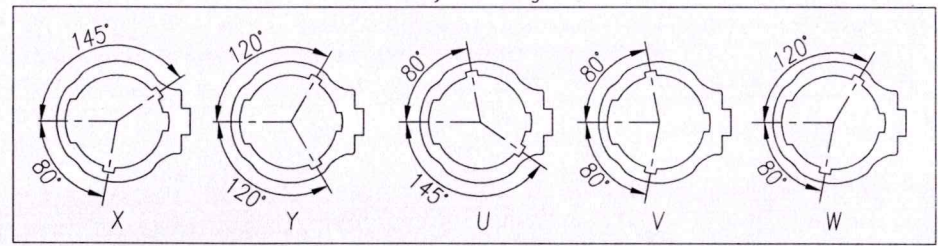


面板安装孔尺寸  
Panel Size

产品料号	插座型号	键位	所接线缆大小
AC-HA001813	PL00X-120-30D25	X	25mm <sup>2</sup>
AC-HA001814	PL00Y-120-30D25	Y	
AC-HA001815	PL00U-120-30D25	U	
AC-HA001816	PL00V-120-30D25	V	
AC-HA001817	PL00W-120-30D25	W	
AC-HA000955	PL00X-120-30D16	X	16mm <sup>2</sup>
AC-HA000956	PL00Y-120-30D16	Y	
AC-HA000957	PL00U-120-30D16	U	
AC-HA000958	PL00V-120-30D16	V	
AC-HA000959	PL00W-120-30D16	W	

**Amphenol TPI**  
 2019-12-09  
**REGISTERED COPY**

The Key of Angle



订购信息 Ordering Information

PL00 X - 120 - 30 D 25		
键位及颜色 Key & Color	线缆大小 Cable Size	
"X", 橙色 Orange	~25"=25mm <sup>2</sup>	
"Y", 黑色 Black	~16"=16mm <sup>2</sup>	
"U", 黄色 Yellow		
"V", 绿色 Green		
"W", 红色 Red		

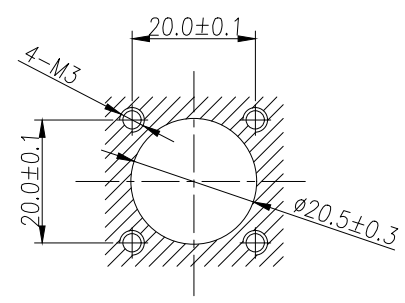
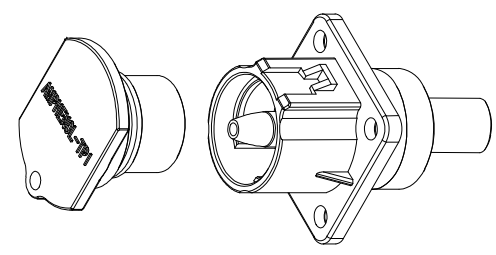
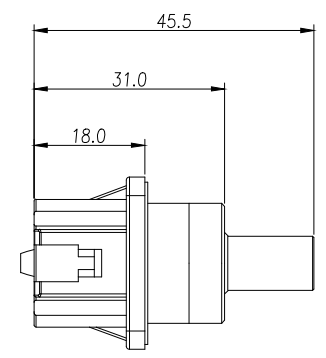
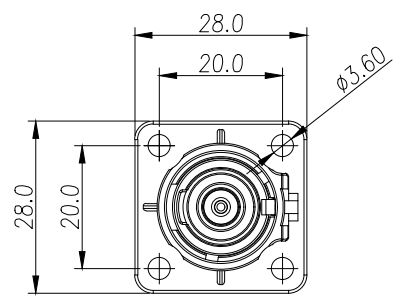
规格参数 (Spec.):

1. 工作温度 Operating temperature: -40° C ~ +125° C.
2. 额定电流 Current rating:  
25mm<sup>2</sup>: 120 A, 16mm<sup>2</sup>: 90A
3. 额定电压 Operating voltage: 1000 VDC.
4. 耐电压 Dielectric withstanding voltage: 5000 VDC.
5. 防护等级 Protection class: IP67.
6. 电磁屏蔽 Shielding.
7. 机械寿命 Mating cycle: 100 Min.
8. 带自动二次锁扣 Automatic secondary lock.

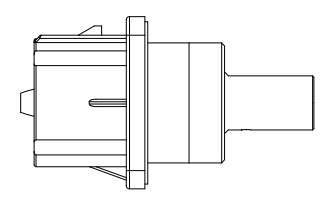
	Amphenol Technical Products International GZ				
	第三角投影 THIRD ANGLE PROJECTION	页码 SHEET	幅面 SIZE	版次 REV.	比例 SCALE
签名 SIGNATURE	日期 DATE	UNLESS OTHERWISE SPECIFIED			DWG NO: PL00-120-30
制图 DRAWN	12/02/19	1) All dimensions are in metric (mm).			CUST PART #: N/A
审核 CHECKED	2019.12.2	2) Tolerances are as follows:			CUST REV. -
批准 APPROVAL	2019.12.2	0 PL DEC ±1.00 1 PL DEC ±0.50 2 PL DEC ±0.20			
		Angles ±1°			

Customer Drawing

REV. ZONE			REVISIONS			
REV	ZONE	ECO	DESCRIPTION	DATE	BY	APPR
A	--	--	INITIAL RELEASE	06/16/14	RW	EC
B	--	--	Change Dust Cap	03/31/16	RW	TS
C	--	--	Update Spec.	12/02/19	Fred	JL

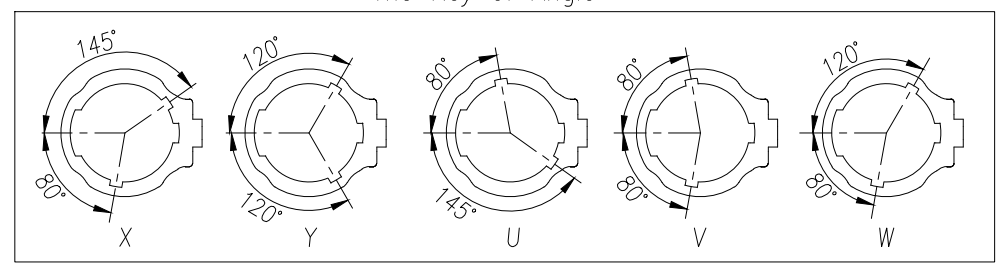


面板安装孔尺寸  
Panel Size



产品料号	插座型号	键位	所接线缆大小
AC-HA001813	PL00X-120-30D25	X	25mm <sup>2</sup>
AC-HA001814	PL00Y-120-30D25	Y	
AC-HA001815	PL00U-120-30D25	U	
AC-HA001816	PL00V-120-30D25	V	
AC-HA001817	PL00W-120-30D25	W	
AC-HA000955	PL00X-120-30D16	X	16mm <sup>2</sup>
AC-HA000956	PL00Y-120-30D16	Y	
AC-HA000957	PL00U-120-30D16	U	
AC-HA000958	PL00V-120-30D16	V	
AC-HA000959	PL00W-120-30D16	W	

The Key of Angle



订购信息 Ordering Information

- 规格参数 (Spec.):
1. 工作温度 Operating temperature: -40° C~+125° C.
  2. 额定电流 Current rating: 25mm<sup>2</sup>:120 A, 16mm<sup>2</sup>:90A
  3. 额定电压 Operating voltage:1000 VDC.
  4. 耐电压 Dielectric withstanding voltage: 5000 VDC.
  5. 防护等级 Protection class:IP67.
  6. 电磁屏蔽 Shielding.
  7. 机械寿命 Mating cycle:100 Min.
  8. 带自动二次锁扣 Automatic secondary lock.

PL00 X - 120 - 30 D 25

键位及颜色 Key & Color	线缆大小 Cable Size
"X", 橙色 Orange	"25"=25mm <sup>2</sup>
"Y", 黑色 Black	"16"=16mm <sup>2</sup>
"U", 黄色 Yellow	
"V", 绿色 Green	
"W", 红色 Red	

	Amphenol Technical Products International GZ					
	第三角投影 THIRD ANGLE PROJECTION	页面 SHEET	幅面 SIZE	版次 REV.	比例 SCALE	PART NAME: PwrLok 5.7mm IPOS Rcpt Crimping
签名 SIGNATURE	日期 DATE	UNLESS OTHERWISE SPECIFIED			DWG NO: PL00-120-30	
制图 DRAWN	Fred	1) All dimensions are in metric(mm).			CUST PART #: N/A	
审核 CHECKED	YM Zeng	2) Tolerances are as follows:				CUST REV. -
批准 APPROVAL	James Li	0 PL DEC ±1.00 1 PL DEC ±0.50 2 PL DEC ±0.20				
		1 of 1	A3	C	Angles ±1°	

THIS DRAWING IS SUPPLIED FOR INFORMATION ONLY. DESIGN FEATURES, SPECIFICATIONS AND PERFORMANCE DATA SHOWN HEREON ARE THE PROPERTY OF THE AMPHENOL CORPORATION. NO RIGHTS OF REPRODUCTION ARE IMPLIED. ALL DIMENSIONS ARE SUBJECT TO NORMAL MANUFACTURING VARIATIONS.